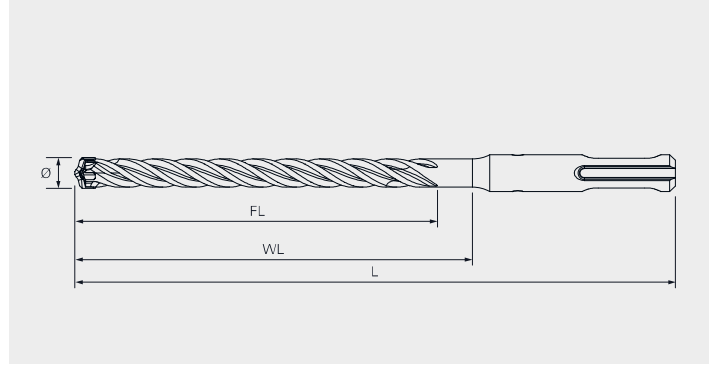


SDS drill bits



Application

Pre-drill of reinforced concrete or natural stone

Approvals



Material

4x carbide cutting edge, steel shank

Features and Benefits

- Four symmetrical cutting edges for exact drilling diameters
- No slipping on the surface due to the centering tip
- Optimal removing of drilling dust due to the cupping flute geometry
- Optimum drilling performance and no seizure when hitting reinforcing steel thanks to the patented reinforcement chamfer
- 50% longer service life due to special geometry

SDS drill bits

Product code	PU	D	L	WL	FL	
SDS-6x210/150-4C	1	6	210	150	150	1487583
SDS-6x310/250-4C	1	6	310	250	250	1487584
SDS-6x515/455-4C	1	6	515	455	200	1608141
SDS-8x210/150-4C	1	8	210	150	150	1487585
SDS-10x210/150-4C	1	10	210	150	150	1487586