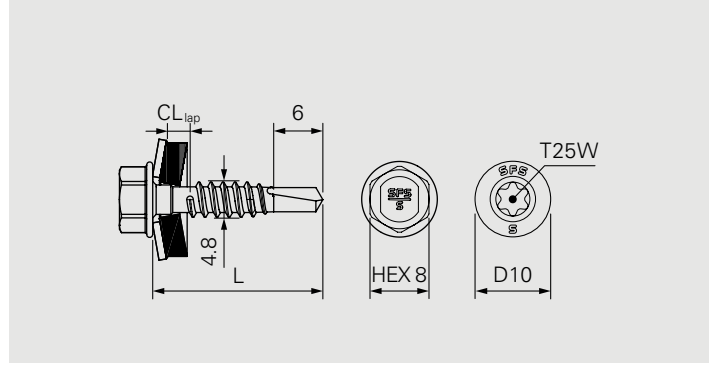


SDL1-4.8



Application

Fastening of overlaps of sandwich panels
 Fastening of flashings onto sandwich panels
 Fastening of overlaps of profile sheets
 Fastening of flashings onto profile sheets

Fastener material

Austenitic stainless steel A2
 Sealing washer: Special AV-Shape with EPDM sealing

Component 1 (t_I)

Steel 0.40–1.0
 Steel 2×0.63–0.75

Component 2 (t_{II})

Steel 0.40–1.0
 Steel 2×0.63–0.75

$\Sigma_{\max} t_I + t_{II}$

2.0
 3.0

Approvals



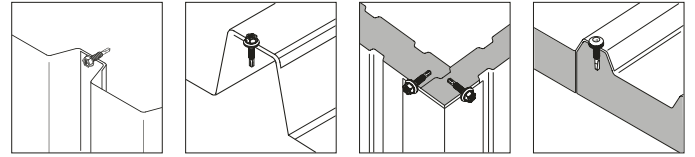
Features and Benefits

- Self drilling fastener suitable for fastening of overlaps and flashings
- No torque control required given by free-spin zone
- Secured against unwinding given by cut-off thread-end and free-spin zone
- High quality EPDM sealing washer with special AV-Shape for highest clamping range and long-term weather sealing

Documentation

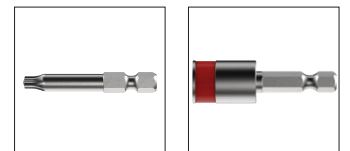
Approval document (ETA) | Declaration of performance (DoP)

All measures in mm



Fastener in A2 onto steel

Product code	PU	L	CL _{lap}	A11	AV14	AV16
SDL1-AV14-4,8×22	500	22	0.80–3.50	-	1683907	1744798
SDL1-AV14-4,8×22-RAL7016					1684021	-
SDL1-AV14-4,8×22-RAL7024					1714702	
SDL1-AV14-4,8×22-RAL9006					1683997	
SDL1-AV14-4,8×22-RAL9007					1683982	
SDL1-AV14-4,8×22-RAL9010					1683981	
SDL1-AV14-4,8×22-RAL9011					1683955	
SDL1-D10-A11-4,8×22	500	22	0.80–2.50	1714704	-	-
SDL1-D10-A11-4,8×22-RAL7016				1714705		
SDL1-D10-A11-4,8×22-RAL7024				1714706		
SDL1-D10-A11-4,8×22-RAL9006				1714709		
SDL1-D10-A11-4,8×22-RAL9007				1714710		
SDL1-D10-A11-4,8×22-RAL9010				1714711		
SDL1-D10-A11-4,8×22-RAL9011				1714712		



Accessories/Ancillaries

Product code	PU	Drive	Head drive	L	
T25W-25-HEX¼"	1	¼"	T25W	25	7662
E308-¼"-50			HEX8	-	1646160

All measures in mm

All information is non-binding and without guarantee. Before using the products, all specifications and calculations must be checked by a suitably qualified person and local regulations must be observed. This document is subject to revision. We reserve the right to make technical changes.