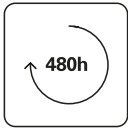
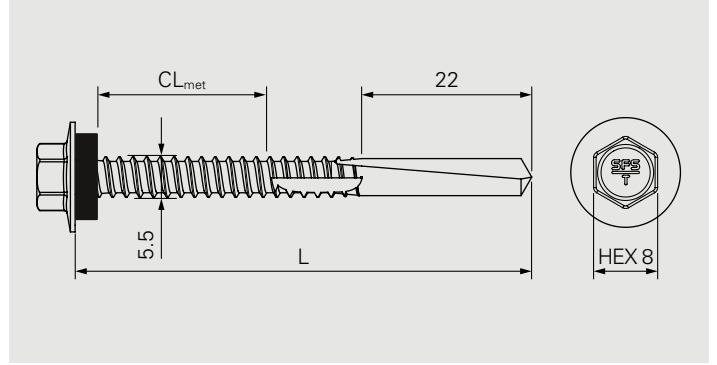


SD20-H15-E11-5.5



Application

Fastening of metal decks onto metal beams
Fastening of liner trays onto metal beams

Component 1 (t_I)

Steel 0.50–2.0

Component 2 (t_{II})

Steel 4.0–18.0

$\Sigma_{\max} t_I + t_{II}$

20.0

Fastener material

Carbon steel, Durocoat® 480

Approvals

–

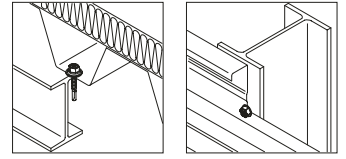
Features and Benefits

- Self drilling fastener suitable for installation of metal decks and liner trays
- High shear resistance achieved by optimized fastener geometry
- High corrosion durability thanks to special galvanic zinc coating

Documentation

Approval document (ETA) | Declaration of performance (DoP)

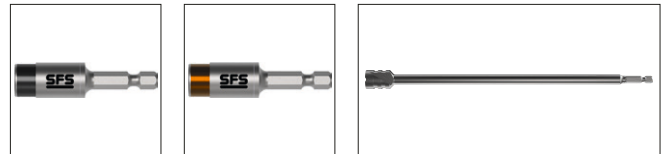
All measures in mm



Fastener in carbon steel onto steel

Product code	PU	L	CL _{met}	
SD20-H15-E11-5,5x50	500	50	0-20	1769338

$t_{fix, met} = CL_{met, min} - (CL_{met, max} - t_{II, max.})$ or load-bearing clamping length according ETA)/($CL_{met, max} - t_{II, min.}$)



Accessories/Ancillaries

Product code	PU	Drive	Head drive	
SOK-IT-¼"-57-6Nm	1	¼"	SW8	1667323
SOK-IT-¼"-57-8Nm				1667322
Drive shaft H15 head	5		H15	1517546

All measures in mm

All information is non-binding and without guarantee. Before using the products, all specifications and calculations must be checked by a suitably qualified person and local regulations must be observed. This document is subject to revision. We reserve the right to make technical changes.