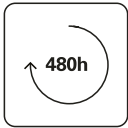
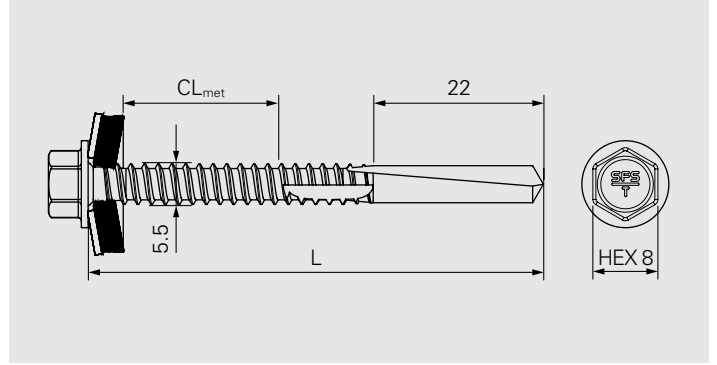


SD20-5.5



Application

Fastening of profile sheets onto metal beams

Component 1 (t_I)

Steel 0.50–2.0

Component 2 (t_{II})

Steel 4.0–18.0

$\Sigma_{\max} t_I + t_{II}$

20.0

Fastener material

Carbon steel, Durocoat® 480

Sealing washer: Carbon steel galvanized, EPDM-seal

Approvals



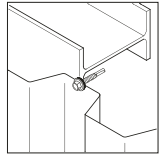
Features and Benefits

- Self drilling fastener suitable for installation of profile sheets
- High quality EPDM sealing washer for long-term weather sealing
- High performance drill point for heavy steel beams
- High corrosion durability thanks to special galvanic zinc coating

Documentation

Approval document (ETA) | Declaration of performance (DoP)

All measures in mm



Fastener in carbon steel onto steel

Product code	PU	L	CL _{met}	T16
SD20-T16-5,5x50	500	50	0-18	1673795

$t_{fix, met} = CL_{met, min.} - (CL_{met, max.} - t_{II, max.})$ or load-bearing clamping length according ETA)/(CL_{met, max.} - t_{II, min.})



Accessories/Ancillaries

Product code	PU	Drive	Head drive	
SOK-IT-¼"-57-8Nm	1	¼"	HEX8	1667322

All measures in mm

All information is non-binding and without guarantee. Before using the products, all specifications and calculations must be checked by a suitably qualified person and local regulations must be observed. This document is subject to revision. We reserve the right to make technical changes.